

Features

- Cartridge style directional control valves
- Cartridge for use in custom designed manifold
- Optional valve body available
- Aluminum anodized body
- Industry standard cartridge thread
- For use with Mineral based oils
- From -30°C to 120°C operation



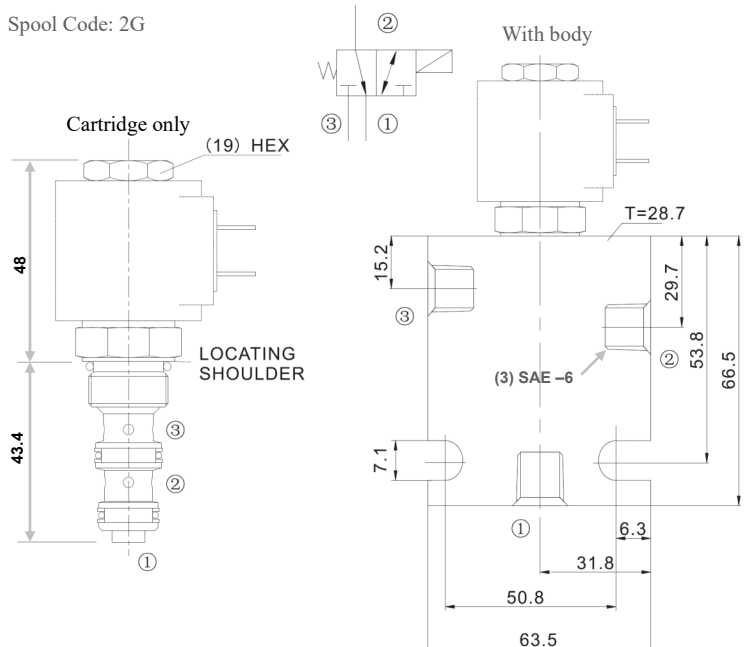
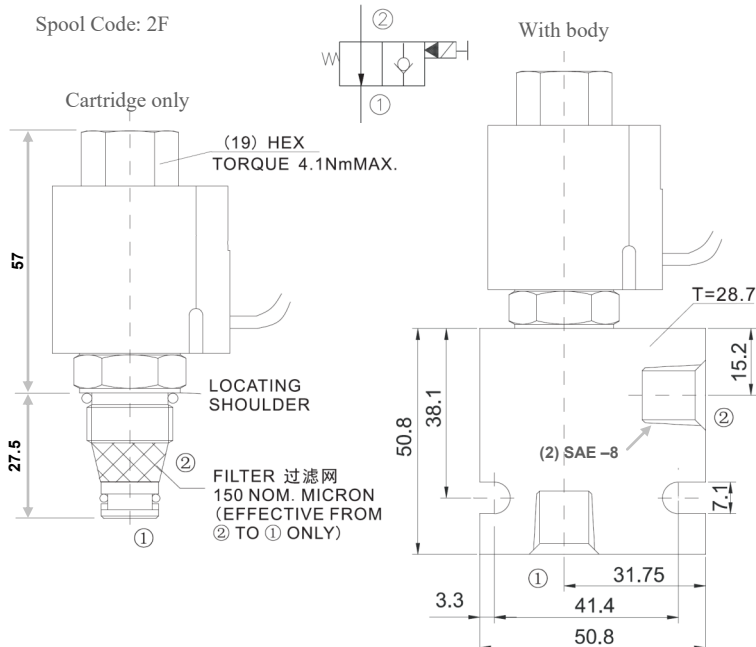
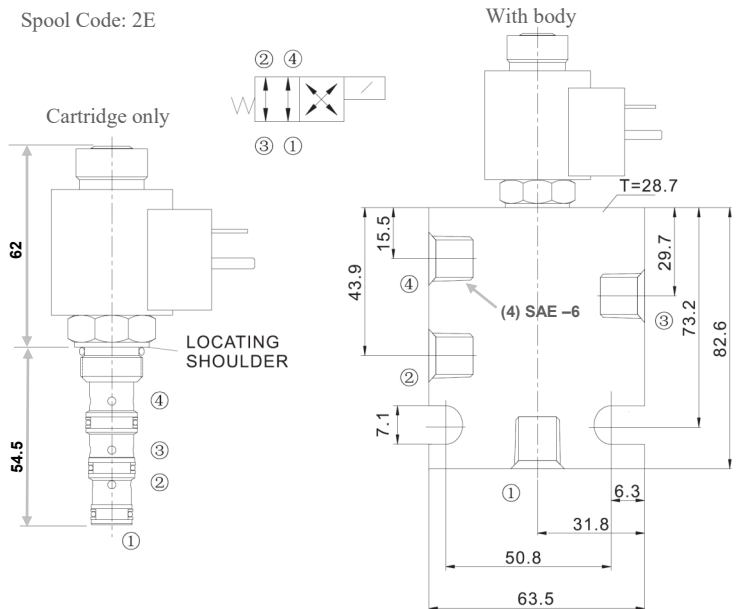
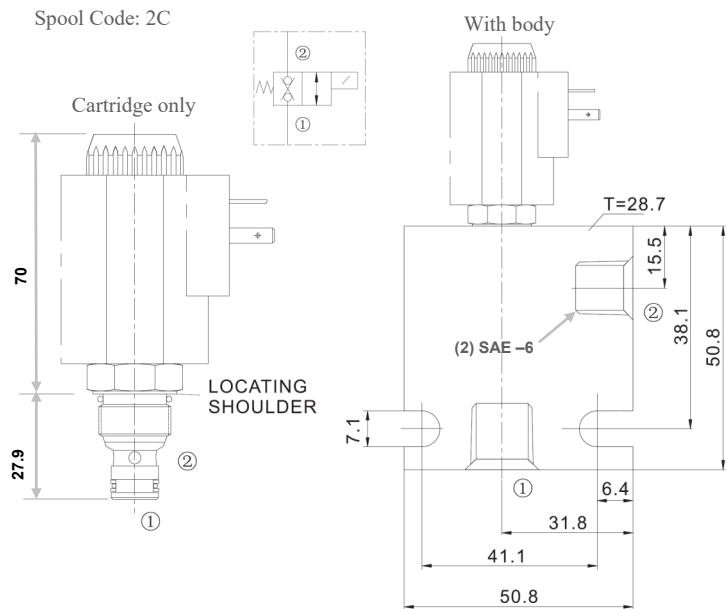
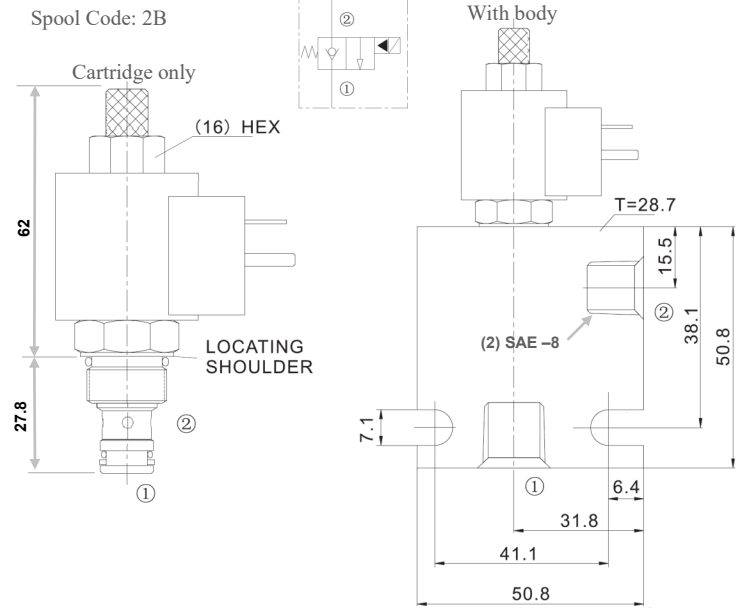
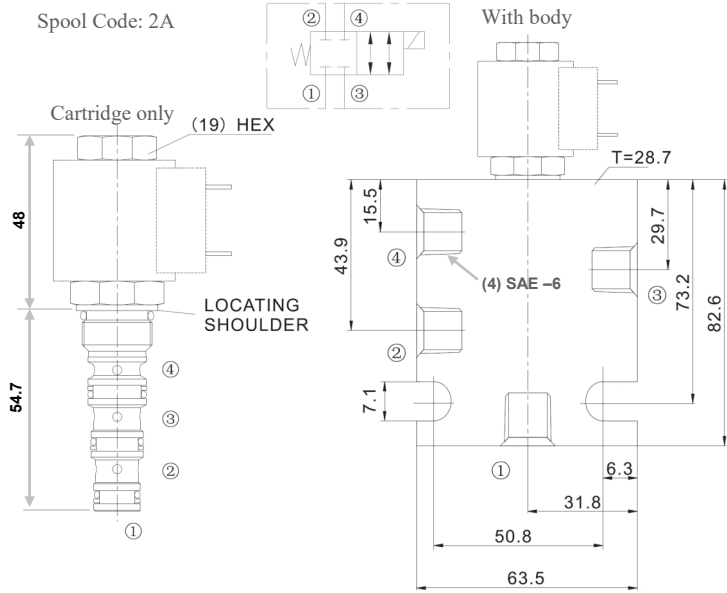
Ordering Details

V	Valve																							
C	Cartridge style																							
D-	Directional control valve																							
08-2-	Cavity Size (page 3)																							
O_	Body Port Size (blank for cartridge only)																							
2C-	Spool Configuration																							
24	Control:	<table border="1"> <thead> <tr> <th>Code</th> <th>Type</th> </tr> </thead> <tbody> <tr> <td>12</td> <td>12VDC</td> </tr> <tr> <td>24</td> <td>24VDC</td> </tr> <tr> <td>36</td> <td>36VDC</td> </tr> <tr> <td>110</td> <td>110VAC</td> </tr> <tr> <td>ML</td> <td>Manual Lever (2C Spool Only)</td> </tr> </tbody> </table>	Code	Type	12	12VDC	24	24VDC	36	36VDC	110	110VAC	ML	Manual Lever (2C Spool Only)										
Code	Type																							
12	12VDC																							
24	24VDC																							
36	36VDC																							
110	110VAC																							
ML	Manual Lever (2C Spool Only)																							
D-	Electrical Connector Type:	<table border="1"> <thead> <tr> <th>Code</th> <th>Type</th> <th>Illustration</th> </tr> </thead> <tbody> <tr> <td>D</td> <td>DIN 43650, Form A</td> <td></td> </tr> <tr> <td>F</td> <td>Flying leads</td> <td></td> </tr> <tr> <td>(blank)</td> <td>Manual Lever</td> <td></td> </tr> </tbody> </table>	Code	Type	Illustration	D	DIN 43650, Form A		F	Flying leads		(blank)	Manual Lever											
Code	Type	Illustration																						
D	DIN 43650, Form A																							
F	Flying leads																							
(blank)	Manual Lever																							
1	Series																							

Spool Code	Port Size, SAE O-ring	Cavity Size Code	Max. Flow lpm	Max. Pressure Cartridge Bar	Max. Pressure Body Bar	Leakage at Max. Pressure cc/min
2A	6	08-4	12	207	210	82
2B	8	08-2	30	300	210	<0.7
2C	6	08-2	19	250	210	<0.05
2E	6	08-4	19	250	210	82
2F	8	08-2	38	250	210	<0.7
2G	6	08-3	15	207	210	<.0.16
2H	6	08-3	15	207	210	82

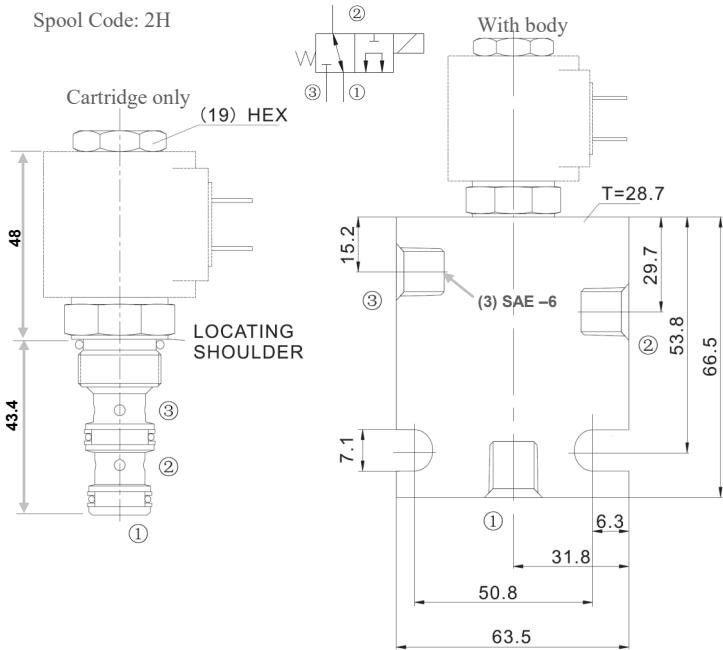
Example Part Number: VCD-08-2-O6-2C-24D-1

Dimensions (mm)

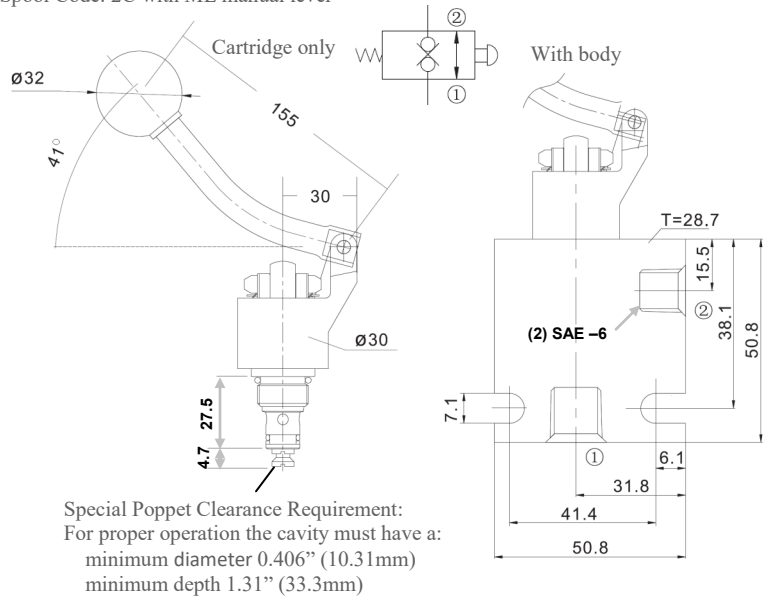


Dimensions (mm)

Spool Code: 2H

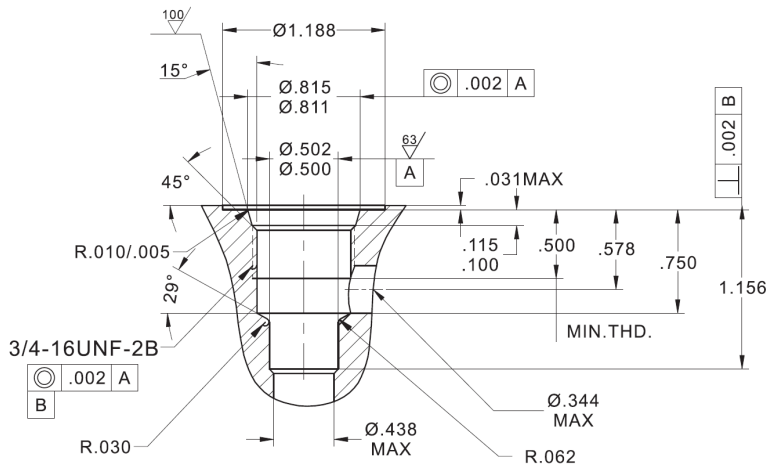


Spool Code: 2C with ML manual lever

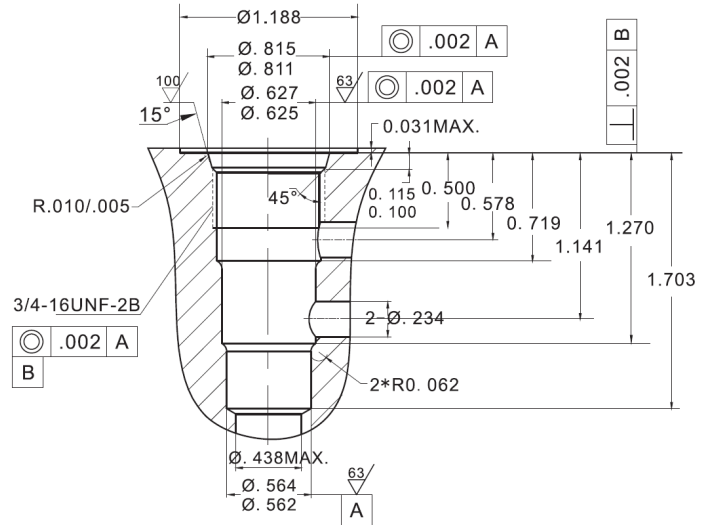


Cavity Dimensions (mm)

08-2
(B, C and F spools)



08-3
(G and H spools)



08-4
(A and E spools)

